

APEX Cable Requirements

- | | | |
|---|---|--|
| 1 | Between Front Panel(s) and Main Controller | 6 Pair CW1308 + 2 Cores 2.5mm ² Minimum + Earth |
| 2 | Between Lock Releases and Door Panel | 2 Cores 2.5mm ² Minimum (Running via any Push To Exit and Fire Switches) |
| 3 | Between Marshalling Cabinets | 6 Pair CW1308 2 Cores + 2.5mm ² Minimum (to each cabinet run from PSU). For video systems - 1 additional RG59 coax required to each marshalling cabinet run from video distribution amp |
| 4 | Between Marshalling Cabinets and Handsets | 6 Pair CW1308 Minimum (10 pair recommended for concierge systems or for cable runs exceeding 50 metres) |

Ancillary Equipment

- | | | |
|---|--|--|
| 5 | Between Ancillary Equipment and Door Panel | 1 Pair CW1308 for each: Push to Exit, Fire Switch.
2 Pair CW1308 for door contacts |
| 6 | Between Entrotag Readers and Access Control Units (If Fitted) | 4 Cores Minimum (run separately from other multi-cores) CW1308 or similar type twisted pair security cable |
| 7 | Between Camera and Main Control Unit | 1 RG59 Coax (run to main cabinet with video switcher and/or video distribution amp) |
| 8 | Between Handsets and Flashing Beacons and/or Extension Sounders | 2 Pair CW1308 or similar security type cables |



ENTROTECLTD

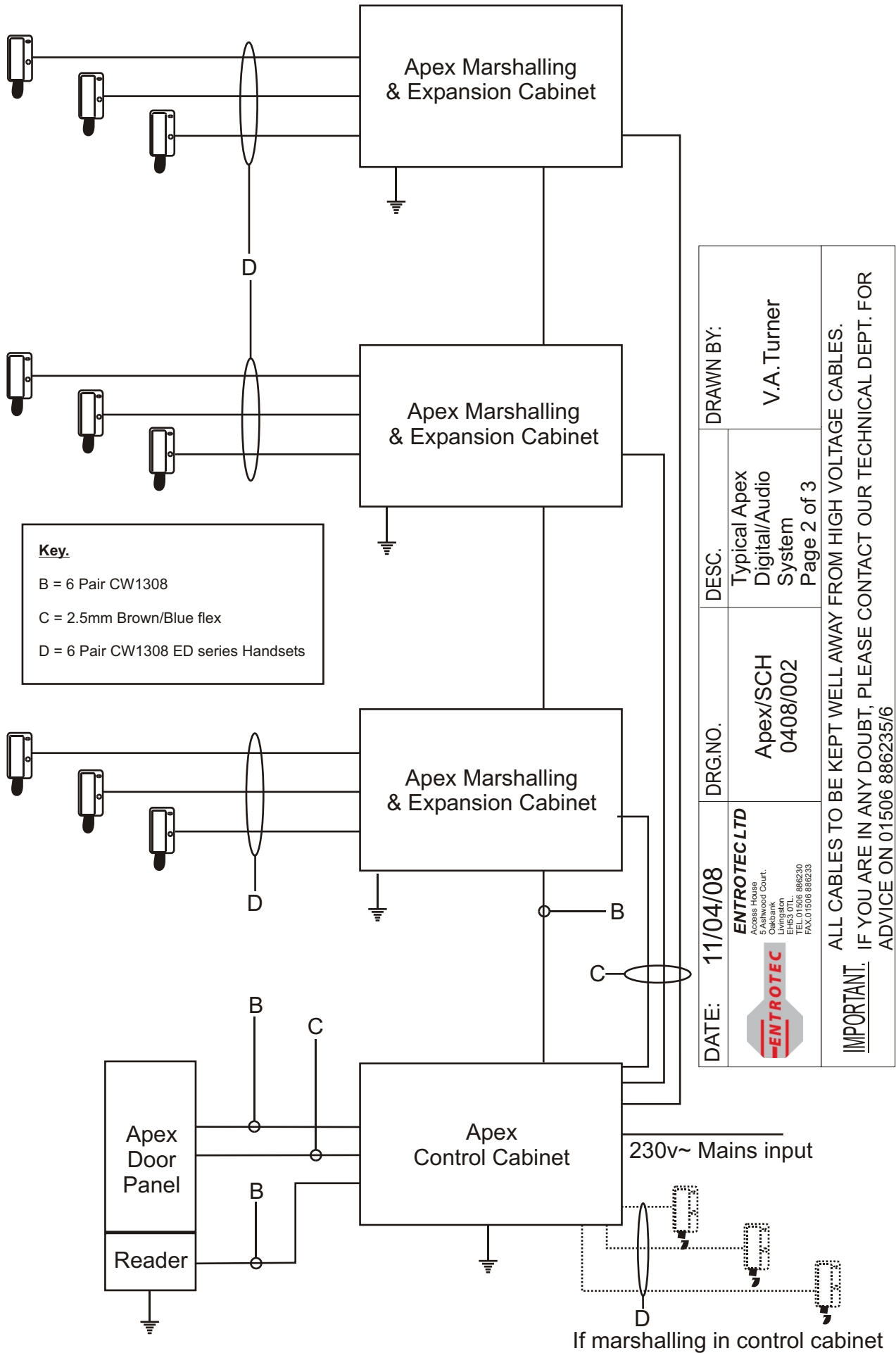
Access House
5 Ashwood Court.
Oakbank
Livingston
EH53 0TL.
TEL.01506 886230
FAX.01506 886233
www.entrotec.co.uk

IMPORTANT.

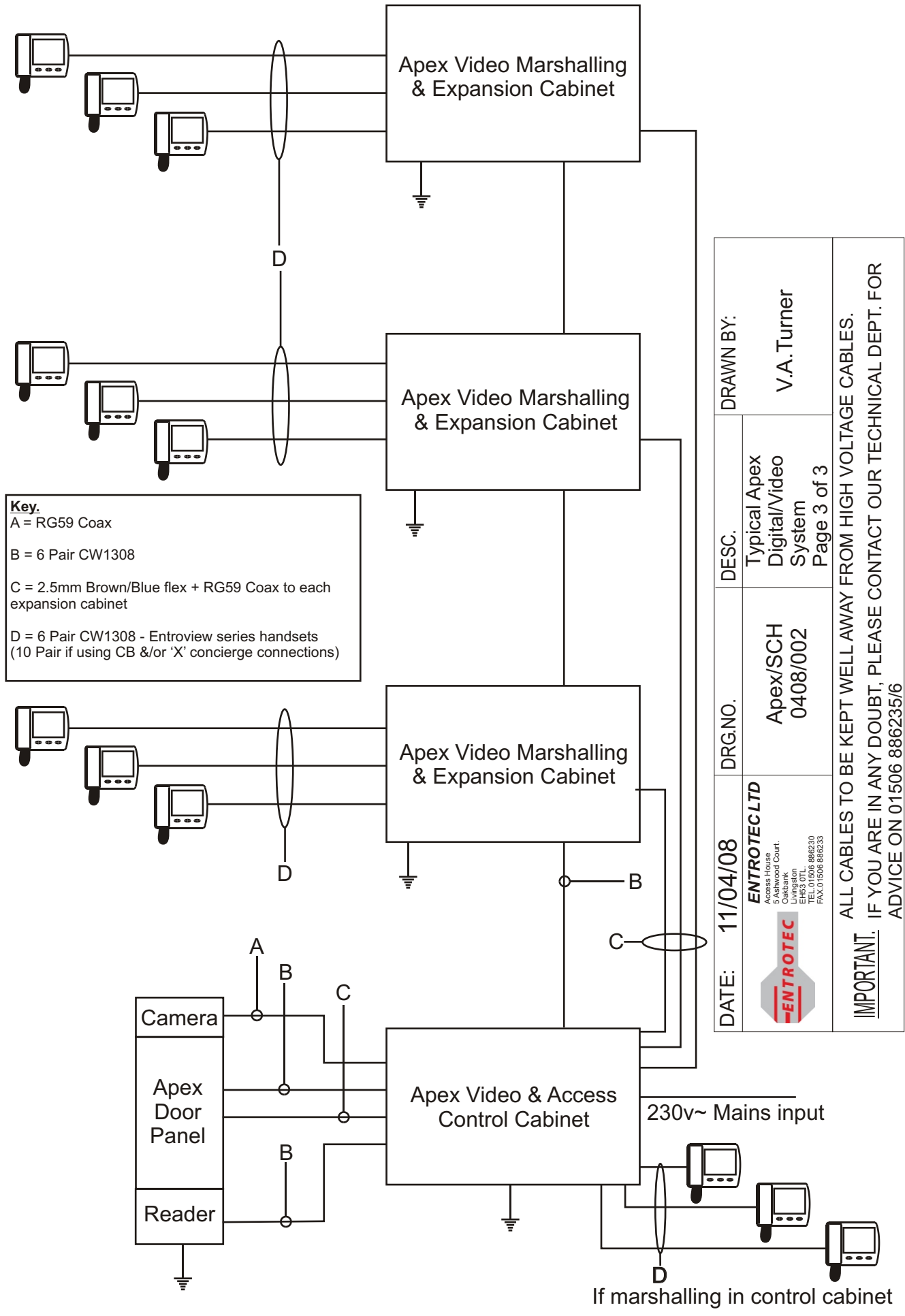
ALL CABLES TO BE KEPT WELL AWAY FROM HIGH VOLTAGE CABLES.
IF YOU ARE IN ANY DOUBT, PLEASE CONTACT OUR TECHNICAL DEPT.
FOR ADVICE ON 01506 886235/6.

Download the most up to date manuals from the technical page on our website.
[Http://www.entrotec.com/technical/downloads/](http://www.entrotec.com/technical/downloads/)

Typical Apex Digital/Audio System



Typical Apex Digital/Video System



Key.
 A = RG59 Coax
 B = 6 Pair CW1308
 C = 2.5mm Brown/Blue flex + RG59 Coax to each expansion cabinet
 D = 6 Pair CW1308 - Entroview series handsets (10 Pair if using CB &/or 'X' concierge connections)

DATE: 11/04/08	DRG.NO. Apex/SCH 0408/002	DESC. Typical Apex Digital/Video System Page 3 of 3	DRAWN BY: V.A. Turner
 ENTROTECLTD Access House 6 Ashwood Court, Livingston EH53 0TL, TEL: 01506 886230 FAX: 01506 886233		ALL CABLES TO BE KEPT WELL AWAY FROM HIGH VOLTAGE CABLES. IMPORTANT. IF YOU ARE IN ANY DOUBT, PLEASE CONTACT OUR TECHNICAL DEPT. FOR ADVICE ON 01506 886235/6	