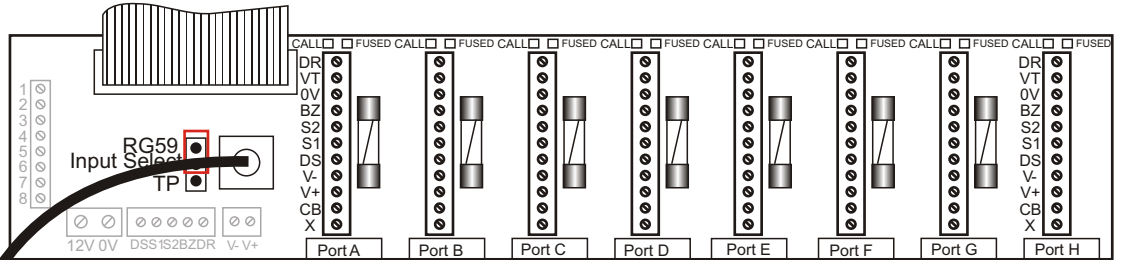
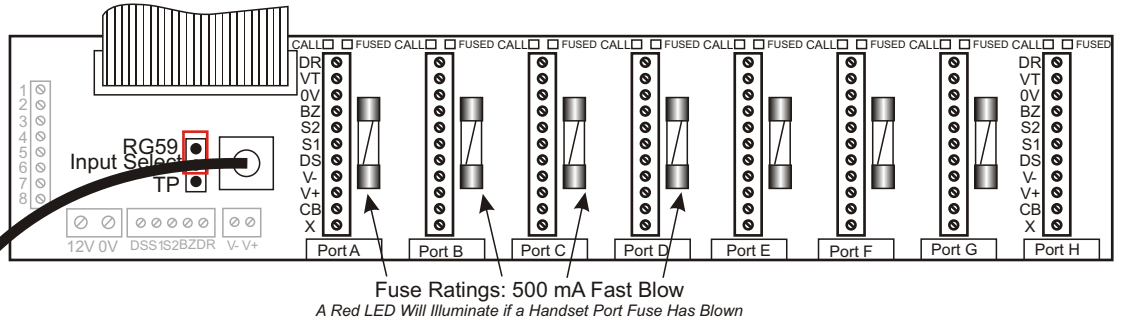


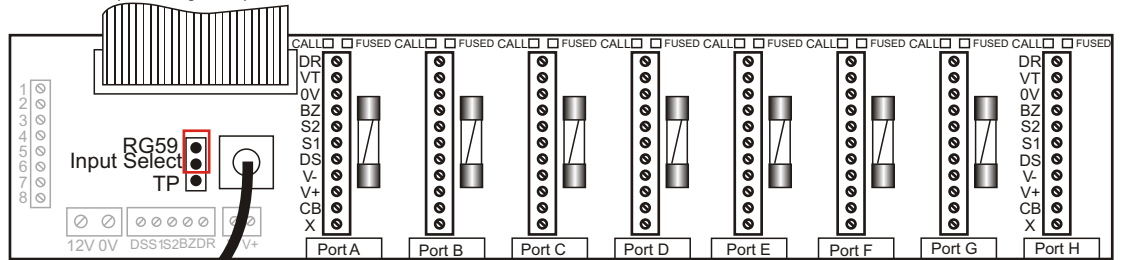
APEX Schematics - Video Terminations

APEX Video Distribution

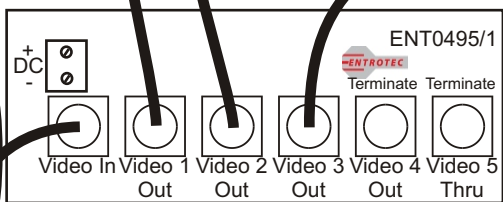
Version 1
V.A. Turner / J.R. Grieve
17 / 07 / 2009



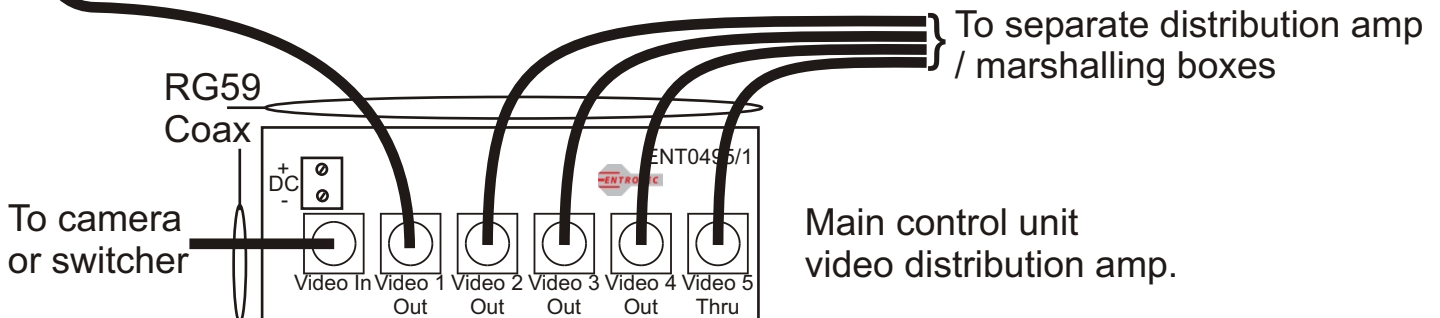
Ribbons From Control Board
Ribbon cable carries:
+12v and 0v supply
and all handset signals
(excluding video).



RG59
Coax



Note:- Separate output from distribution amp in main controller to local marshalling boards and to distribution amps within any additional expansion marshalling boxes



ENTROTEC LTD

Access House
5 Ashwood Court.
Oakbank
Livingston
EH53 0TL.
TEL.01506 886230
FAX.01506 886233
www.entrotec.co.uk

IMPORTANT.

Whilst every effort has been made to ensure the accuracy of the information supplied herein, Entrotec cannot be held responsible for any errors or omissions.

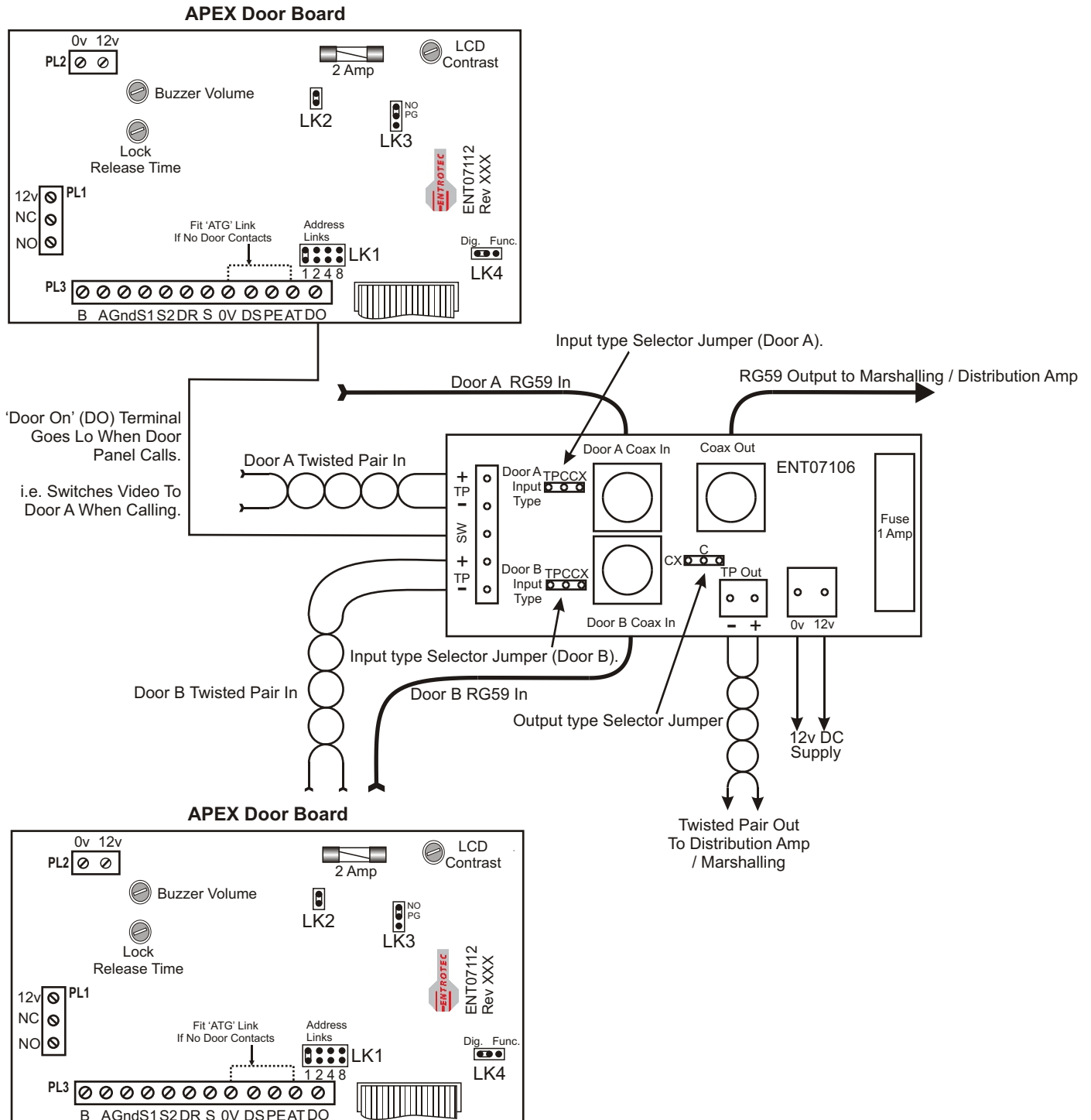
It is the responsibility of the customer / installer to follow any relevant wiring regulations.

Any damage to equipment caused by mis-wiring may invalidate any warranty. If you are in any doubt, please contact our technical department for advice on 01506 886235/6.

APEX Schematics - Video Terminations

APEX Video Switching

Version 1
V.A.Turner / J.R. Grieve
17 / 07 / 2009



Notes:

The 2 way video switcher defaults to 'Door B'. 0v on the 'SW' terminal switches to 'Door A'

Input and Output type can be selected between Twisted Pair (TP) and Coaxial (CX) using the jumper link selection shown.