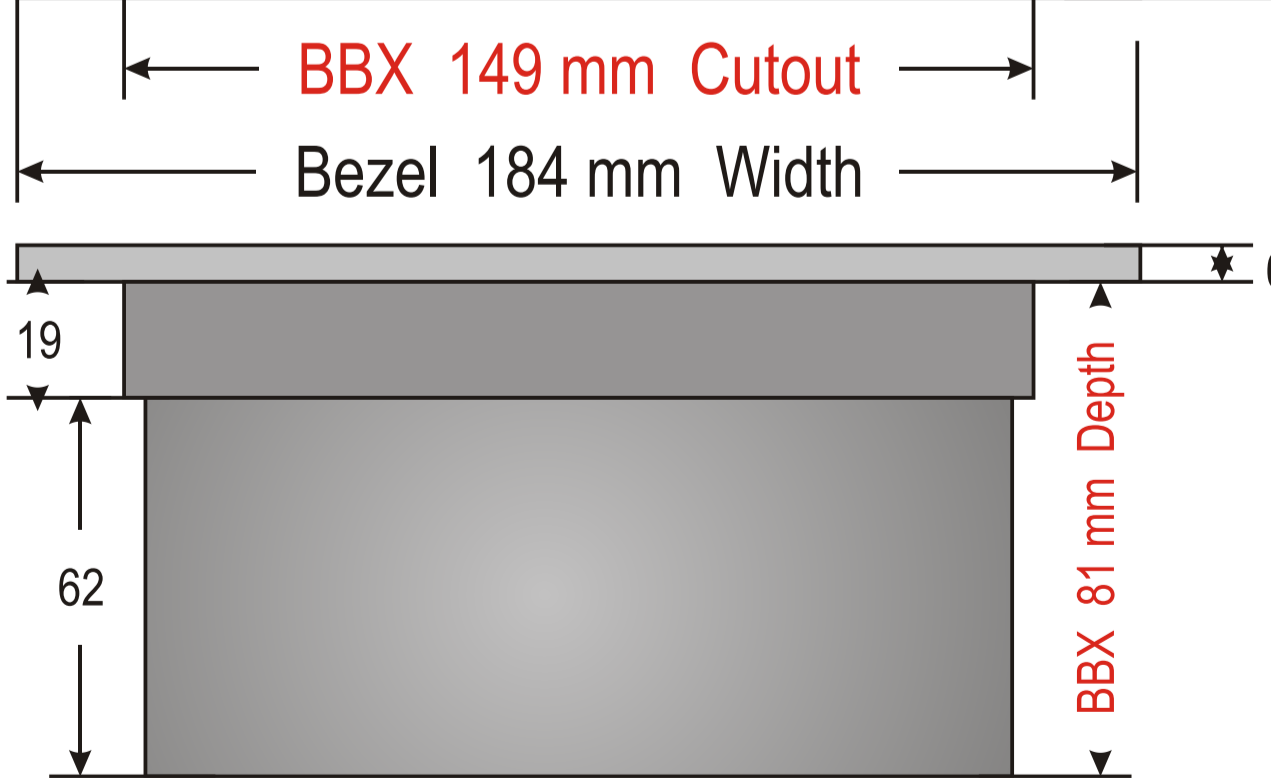
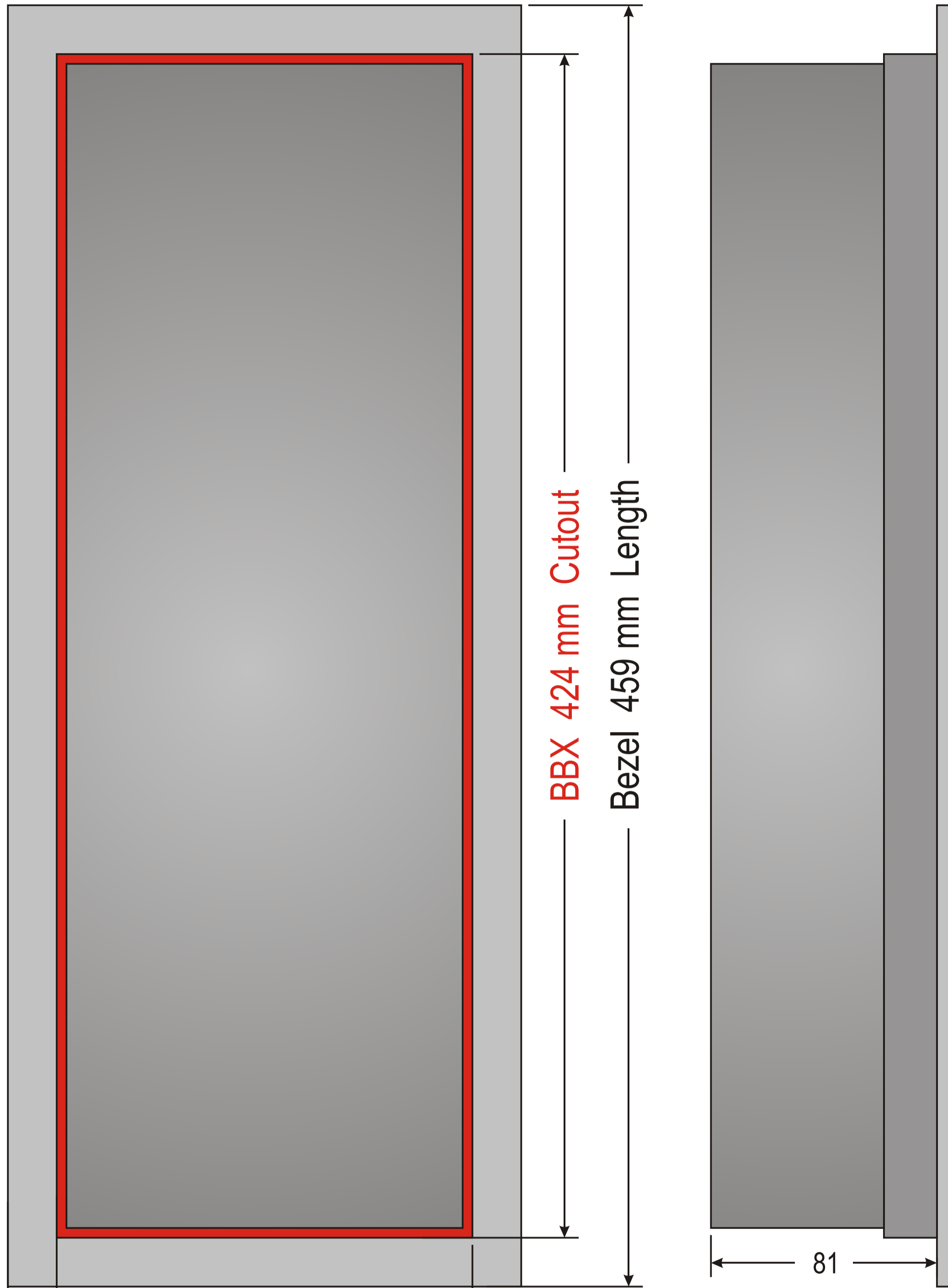


Type 6 Bezelled Back Box Dimensions

Rear Elevation

Side Elevation



End Elevation

Notes:-

- 1) Cut out dimensions shown in RED
- 2) Plate dimensions = 141W X 416H
- 3) All dimensions in millimetres.

<p style="font-size: small;">Designers and manufacturers of telephone door entry, colour video & access control equipment</p> <p style="font-size: x-small;">security through innovation</p> <p style="font-size: x-small;">www.entrotec.co.uk</p>	DESCRIPTION		
	Type 6 Bezelled back box, installation and cut out dimensions		
DRG BY : S. McLeod	CHKD	DRAWING NUMBER	ISS :
DATE : 06/08/09		BBXT6BZ	1
IMPORTANT ALL CABLES TO BE KEPT WELL AWAY FROM MAINS VOLTAGE CABLES. PLEASE CONSULT OUR INSTALLATION GUIDELINE SHEET OR CONTACT OUR TECHNICAL DEPT. FOR ADVICE ON 01506 886235			