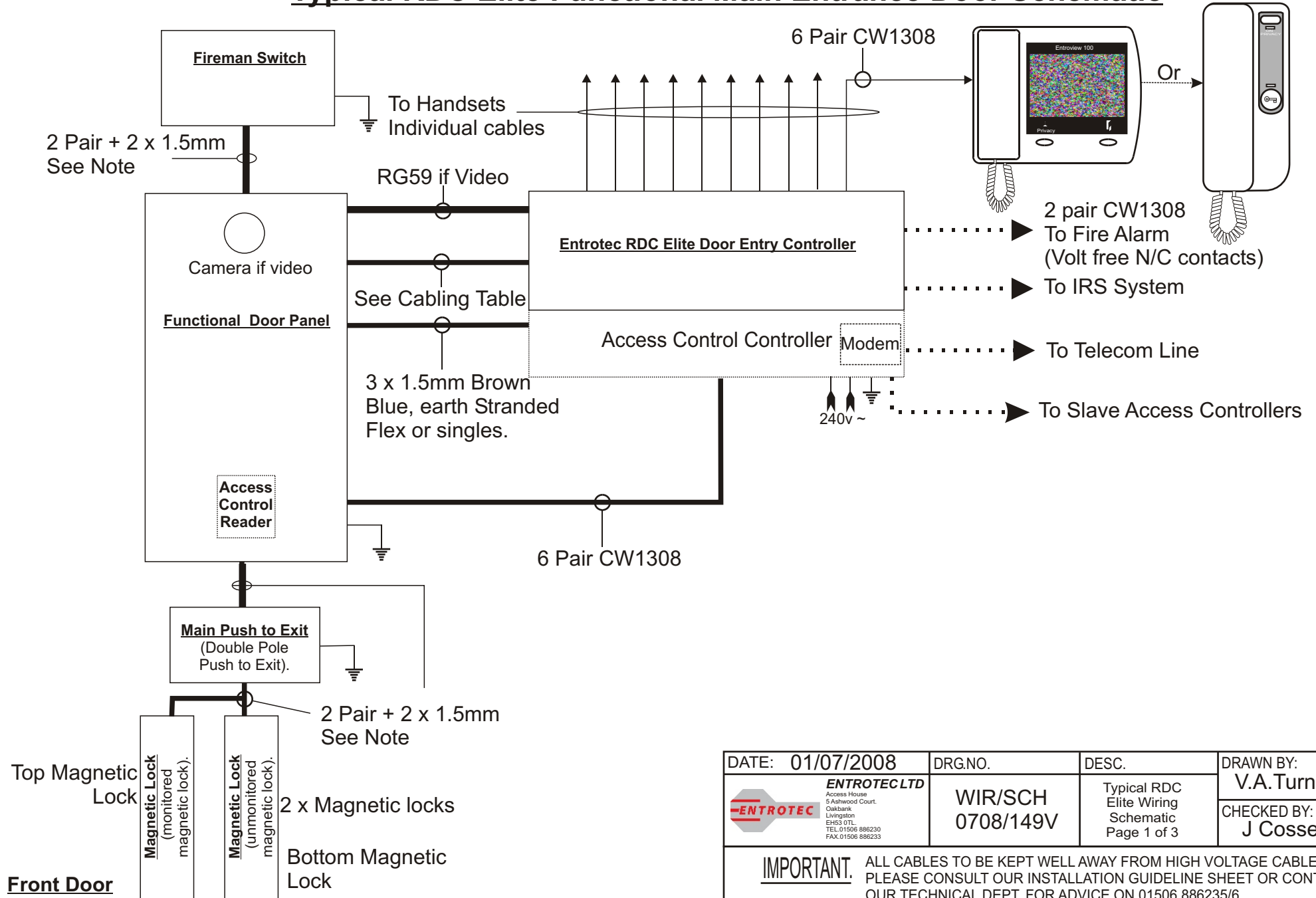



Typical RDC Elite Functional Main Entrance Door Schematic



DATE: 01/07/2008	DRG.NO.	DESC.	DRAWN BY: V.A.Turner
 ENTROTEC LTD Access House 5 Ashwood Court, Oakbank Livingston EH53 0TL TEL: 01506 886230 FAX: 01506 886233	WIR/SCH 0708/149V	Typical RDC Elite Wiring Schematic Page 1 of 3	CHECKED BY: J Cossey
			IMPORTANT. ALL CABLES TO BE KEPT WELL AWAY FROM HIGH VOLTAGE CABLES. PLEASE CONSULT OUR INSTALLATION GUIDELINE SHEET OR CONTACT OUR TECHNICAL DEPT. FOR ADVICE ON 01506 886235/6.

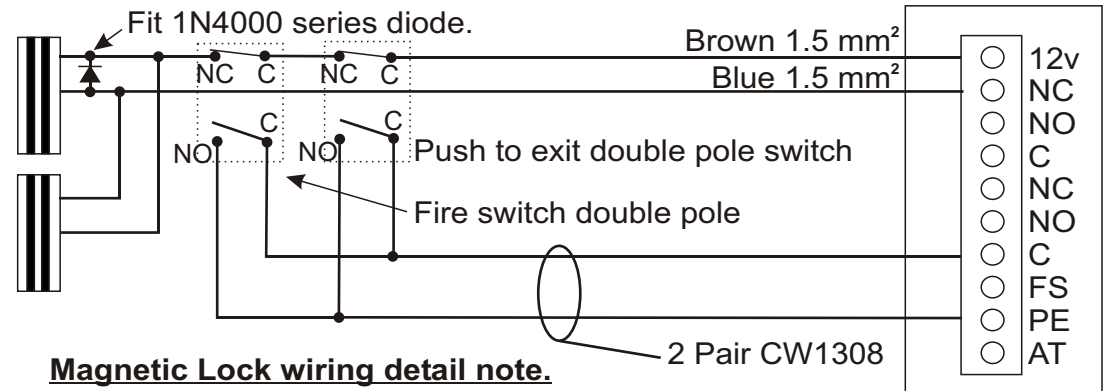
Cabling Table

VRP01S - VRP05S (6) = 10 Pair CW1308
 VRP06S (7) - VRP12S (13) = 15 Pair CW1308
 VRP13S (14) - VRP16S (17) = 20 Pair CW1308

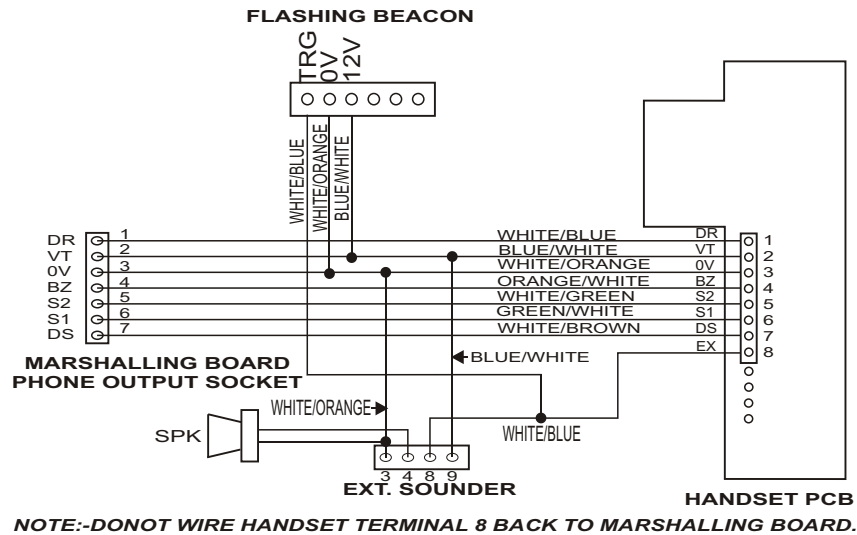
Add RG59B cable if video is required from camera to controller

Access control reader cables must be run separately and in accordance with manufacturers recommendations.

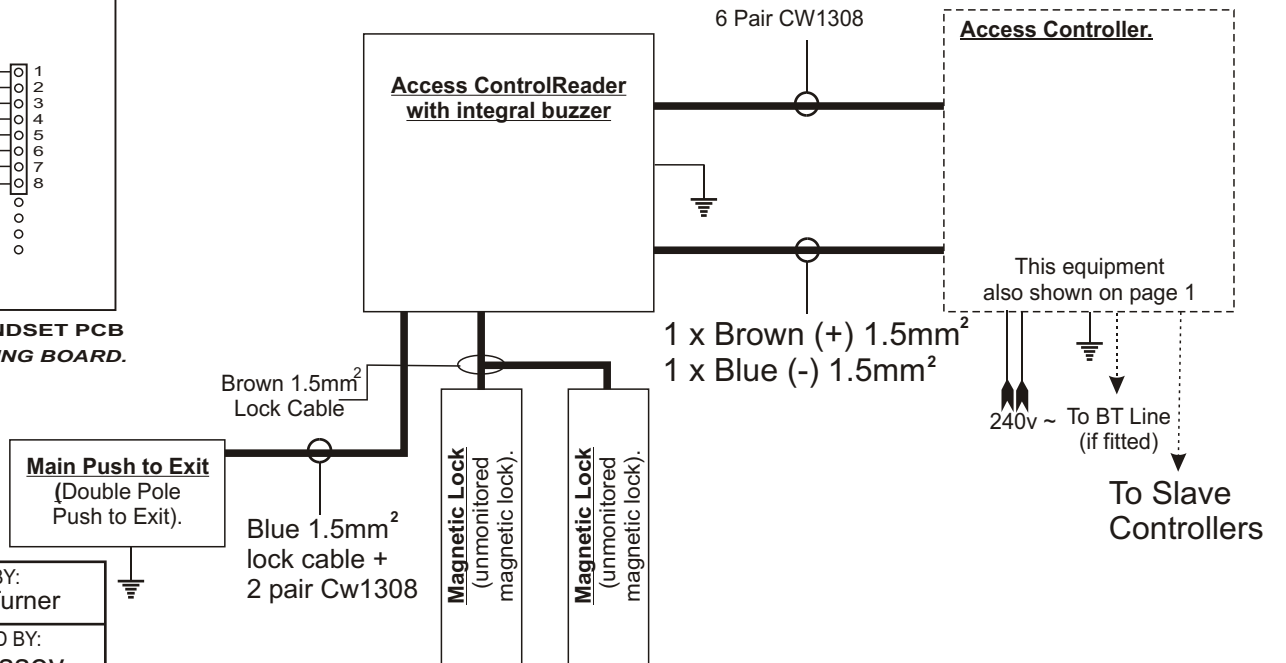
These cable amounts are minimum for larger panels in each group Please adjust accordingly



EXTENSION SPEAKER + FLASHING BEACON FOR ED/1/3/4/6/9 HANDSETS CONNECTION DIAGRAM.



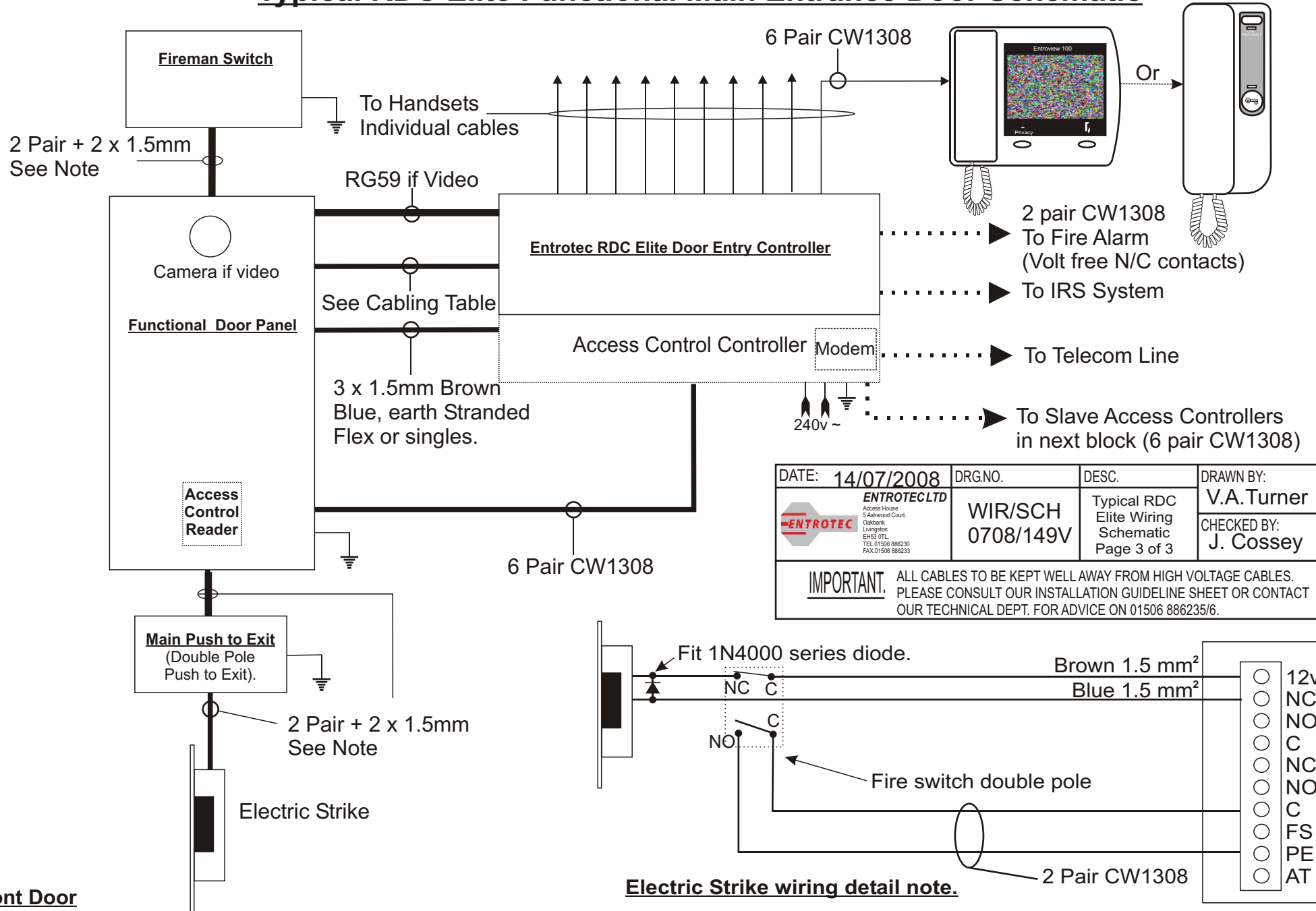
Rear Door Schematic (if required).



DATE: 01/07/2008	DRG.NO.	DESC.	DRAWN BY:
ENTROTEC LTD Access House 5 Ashwood Court, Oakbank Livingston EH53 0TL TEL: 01506 886230 FAX: 01506 886235	WIR/SCH0708/149V	Typical rear entrance overall cabling schematic Page 2 of 3.	V.A.Turner
			CHECKED BY:
			J Cossey

IMPORTANT. ALL CABLES TO BE KEPT WELL AWAY FROM HIGH VOLTAGE CABLES. PLEASE CONSULT OUR INSTALLATION GUIDELINE SHEET OR CONTACT OUR TECHNICAL DEPT. FOR ADVICE ON 01506 886235/6.

Typical RDC Elite Functional Main Entrance Door Schematic



Front Door

Electric Strike wiring detail note.