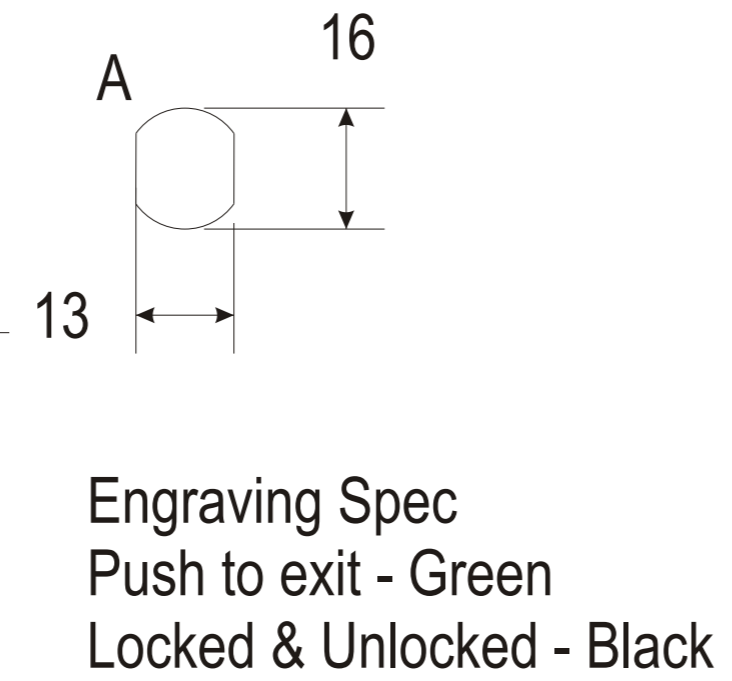
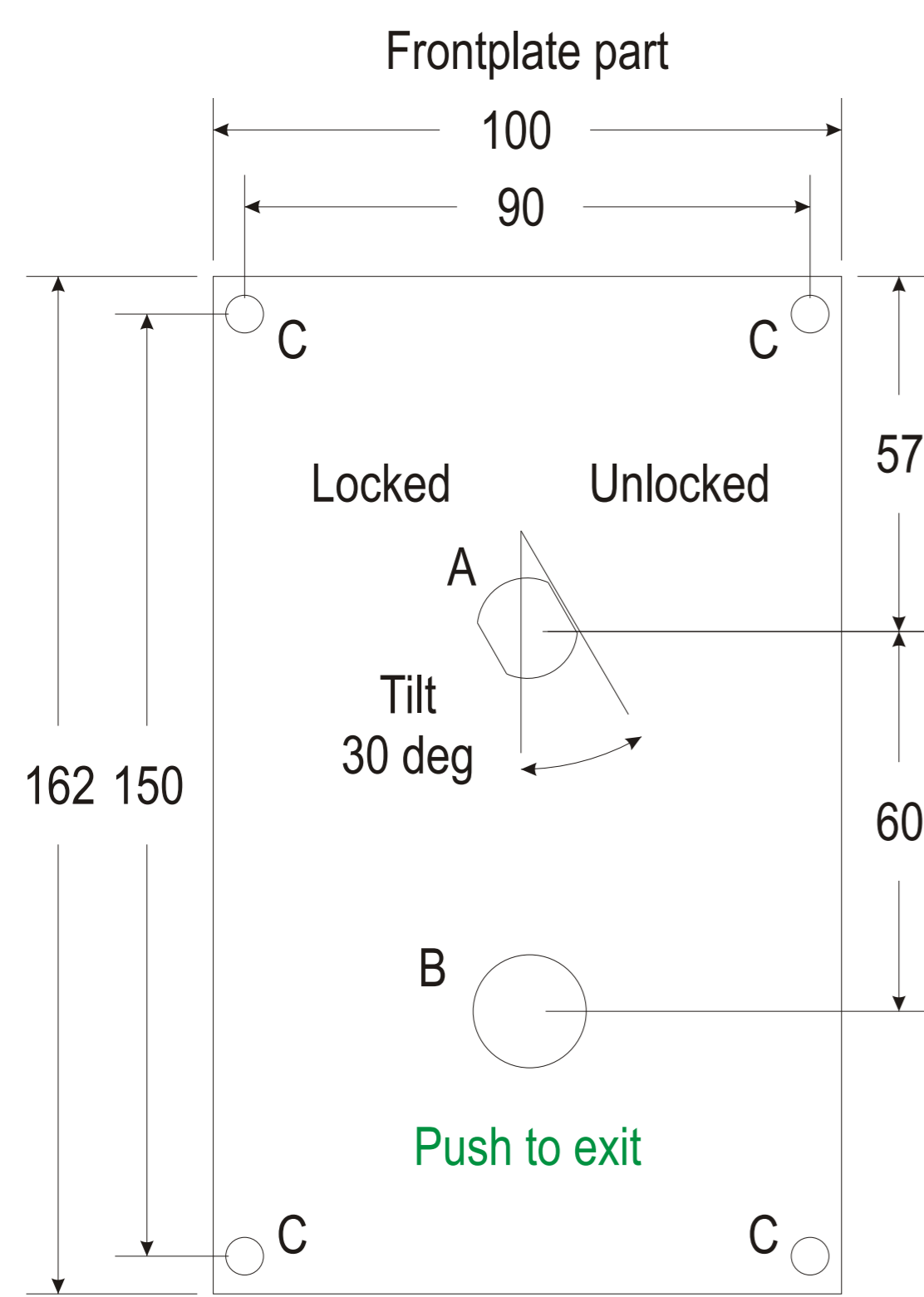
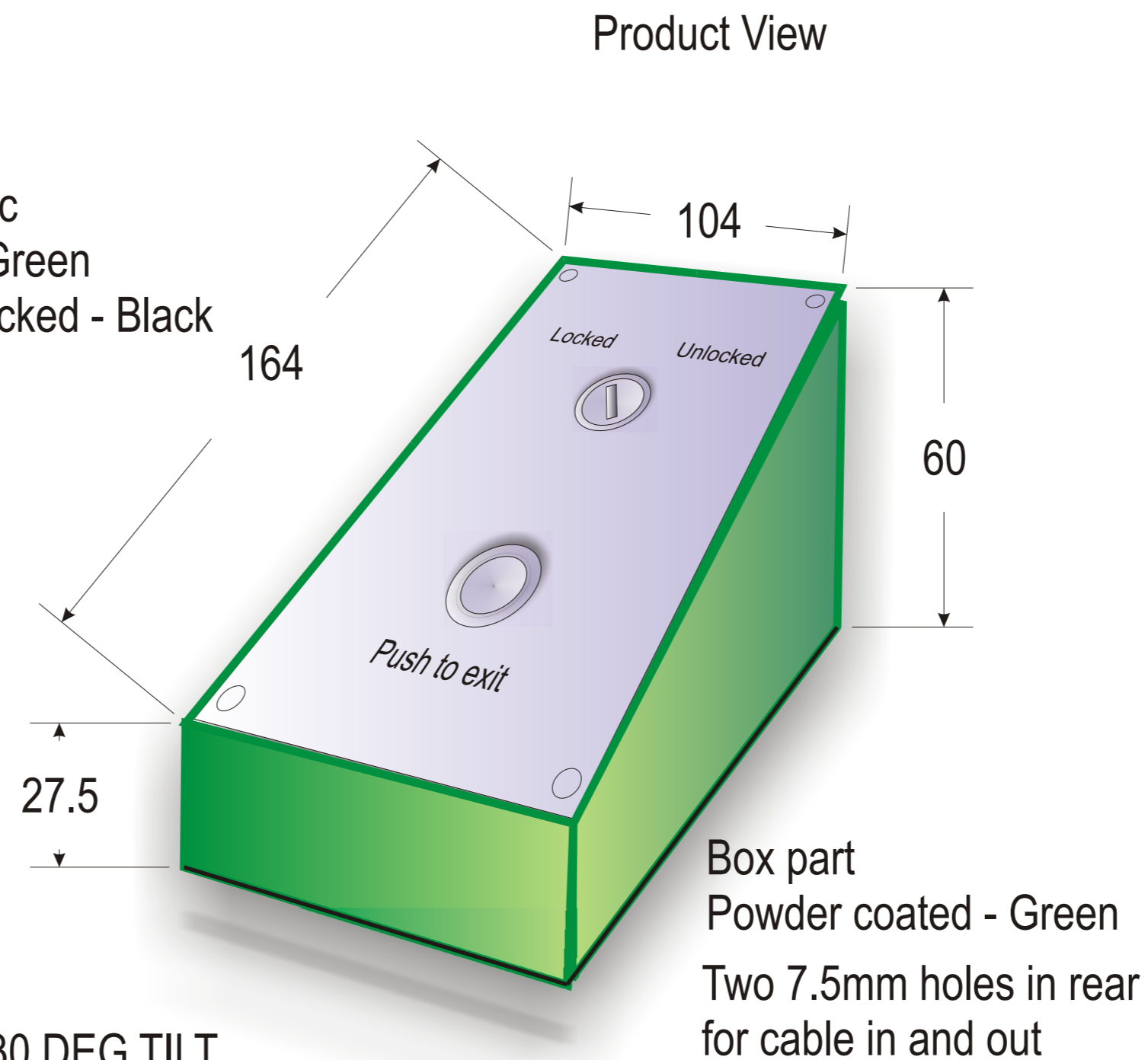


Push to exit and key switch deskmounted and powder coated



HOLE SPECS
 A = AS SHOWN 30 DEG TILT
 B = 18
 C = 6



Product Detail

Order Code: 1123685
 Manufacturer: LORLIN
 Manufacturer Part Number: SRL-5-L-S-2
Description:
 KEYSWITCH, DPDT 2 POS STD KEY
 Poles, number of:2
 Positions, number of:2
 Current, contact rating:5A
 Angle, indexing:60°
 Configuration, contact:DPDT
 Current, contact @ contact voltage AC max:5A
 Current, contact @ contact voltage DC max:3A
 Depth, behind panel:30.7mm
 Diameter, external:22mm
 Operations, mechanical number of:50000
 Resistance, contact:20mR
 Resistance, insulation:100MR
 Switch function type:DPDT
 Temperature, operating max:65°C
 Temperature, operating min:-20°C
 Thickness, panel max:5mm
 Voltage, proof:750V



Combined desk mounted key switch and push to exit housed in inclined angled powder coated back box.

Dimensions in mm

DRG BY : J. RUSSELL

CHKD

DRG NO : PTE-KS-DM-PC

ISS :

DATE : 10/09/06

**Front plate 304 SS satin finish
 Backbox MS PC Green**

1