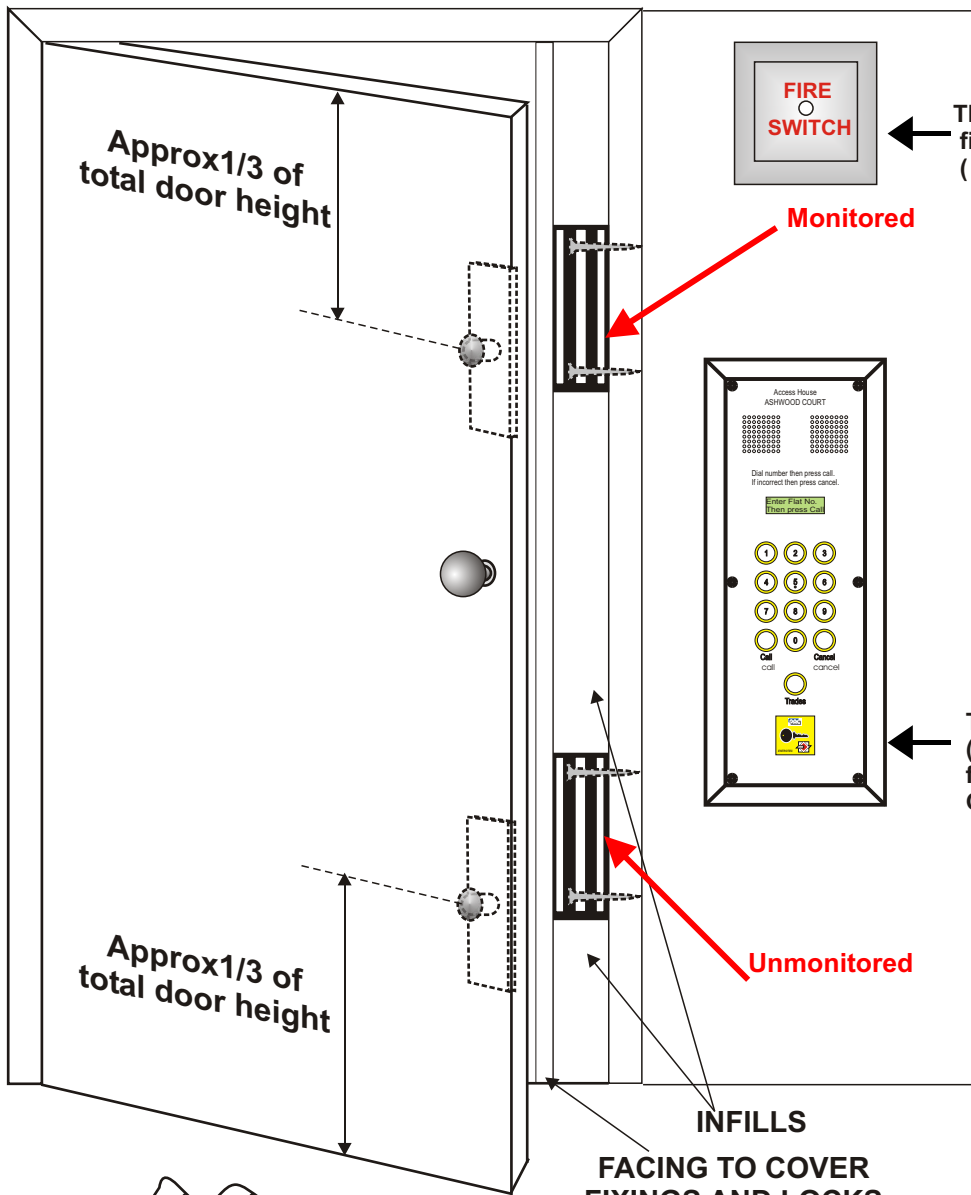
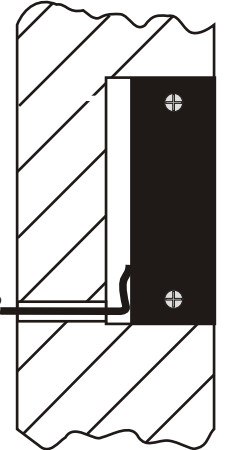


DOOR PANEL AND SECURITRON MAGNALOCK FITTING INSTRUCTIONS For Outward Opening Doors



FIXING DETAIL



CROSS SECTION THROUGH WOODEN OR METAL DOOR JAMB.

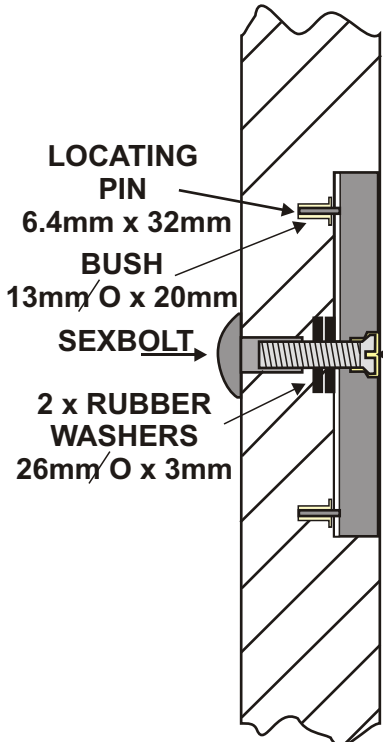
The panel to be fitted to BS8300/Part M (between 800mm to 1100mm above finished floor level to bottom of the back box. Generally 950mm to 1000mm)

Approx 1/3 of total door height

Approx 1/3 of total door height

INFILLS

FACING TO COVER
FIXINGS AND LOCKS



CROSS SECTION THROUGH DOOR.

LOCK SIZES			
MODEL	LENGTH	WIDTH	DEPTH
M32-12NM	203mm	44mm	38mm - 600lb Holding - Side Fix - Unmonitored
M32SC-12NM	203mm	44mm	38mm - 600lb Holding - Side Fix - Monitored
M32FM	203mm	47mm	41mm - 600lb Holding - Face Fix - Unmonitored
M32FBM	203mm	47mm	41mm - 600lb Holding - Face Fix - Monitored
M62FBM	203mm	76mm	44mm - 1200lb Holding - Face Fix - Monitored
M82BM	305mm	76mm	44mm - 1800lb Holding - Side Fix - Monitored

ARMATURE PLATE DIMENSIONS			
MODEL	LENGTH	WIDTH	DEPTH
32	159mm	40mm	12mm
62	152mm	70mm	12mm
82	254mm	70mm	12mm

DATE: 06/03/2009	DRG. NO. DRG0303/0609	DESC. SECURITRON MAGNETIC LOCK FITTING INSTRUCTIONS	DRAWN BY: V.A. TURNER
		ENTROTEC LTD 5 WASHWOOD COURT OAKBANK STON. EN53 0TL TEL: 01506 886230 FAX: 01506 886233	
ALL CABLES TO BE KEPT WELL AWAY FROM HIGH VOLTAGE CABLES. PLEASE CONSULT OUR INSTALLATION GUIDELINE SHEET OR CONTACT OUR TECHNICAL DEPT. FOR ADVICE ON 01506 441100.			
IMPORTANT			