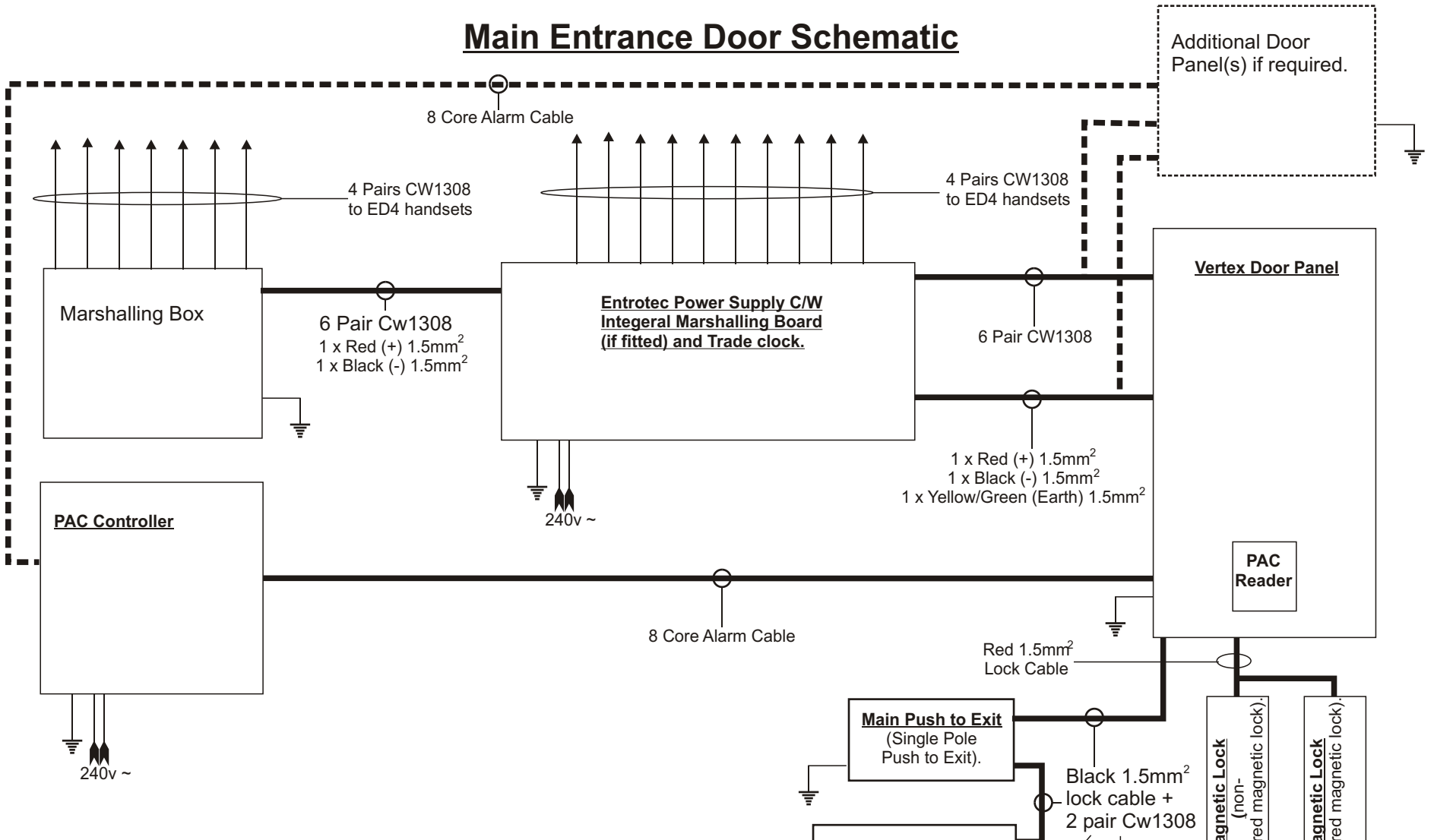



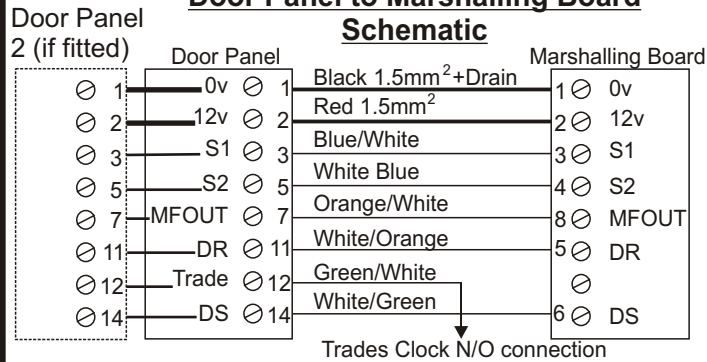
Main Entrance Door Schematic



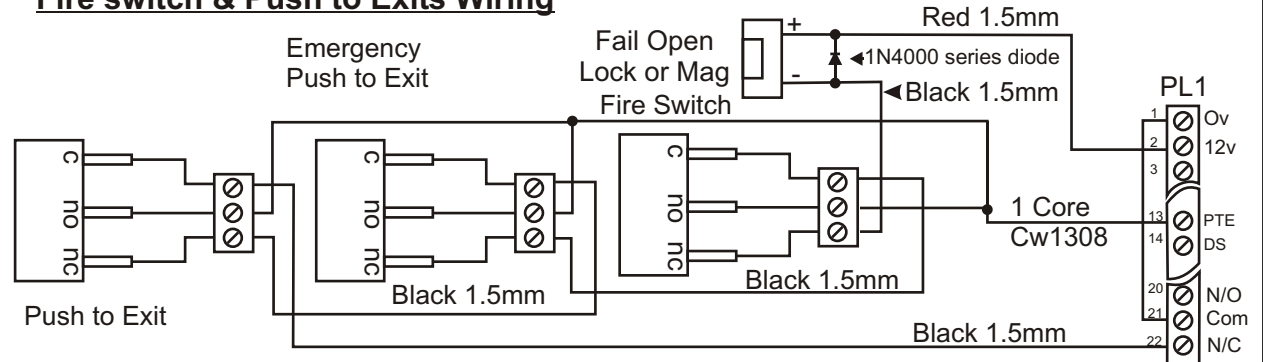
Additional Door Panel(s) if required.

| | | | |
|---|------------------|---|-------------|
| DATE: 26/09/2005 | DRG.NO. | DESC. | DRAWN BY: |
|  ENTROTEC LTD 1 KELVIN SQ. HOUSTON IND. EST., LIVINGSTON, WEST LOTHIAN, EH54 9PF. TEL: 01506 441100 FAX: 01506 442400 | WIR/SCH1001/001V | Main entrance overall cabling schematic Page 1 of 2. | V.A. Turner |
| IMPORTANT. ALL CABLES TO BE KEPT WELL AWAY FROM MAINS VOLTAGE CABLES. PLEASE CONSULT OUR INSTALLATION GUIDELINE SHEET OR CONTACT OUR TECHNICAL DEPT. FOR ADVICE ON 01506 441100. | | | CHECKED BY: |

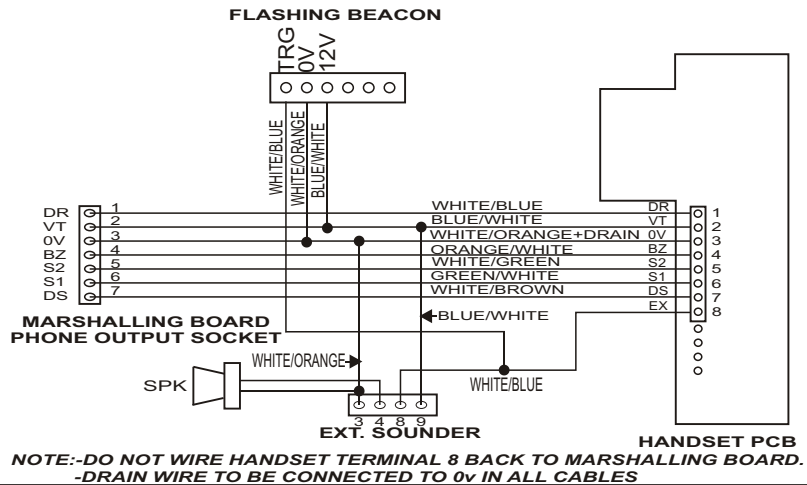
Door Panel to Marshalling Board Schematic



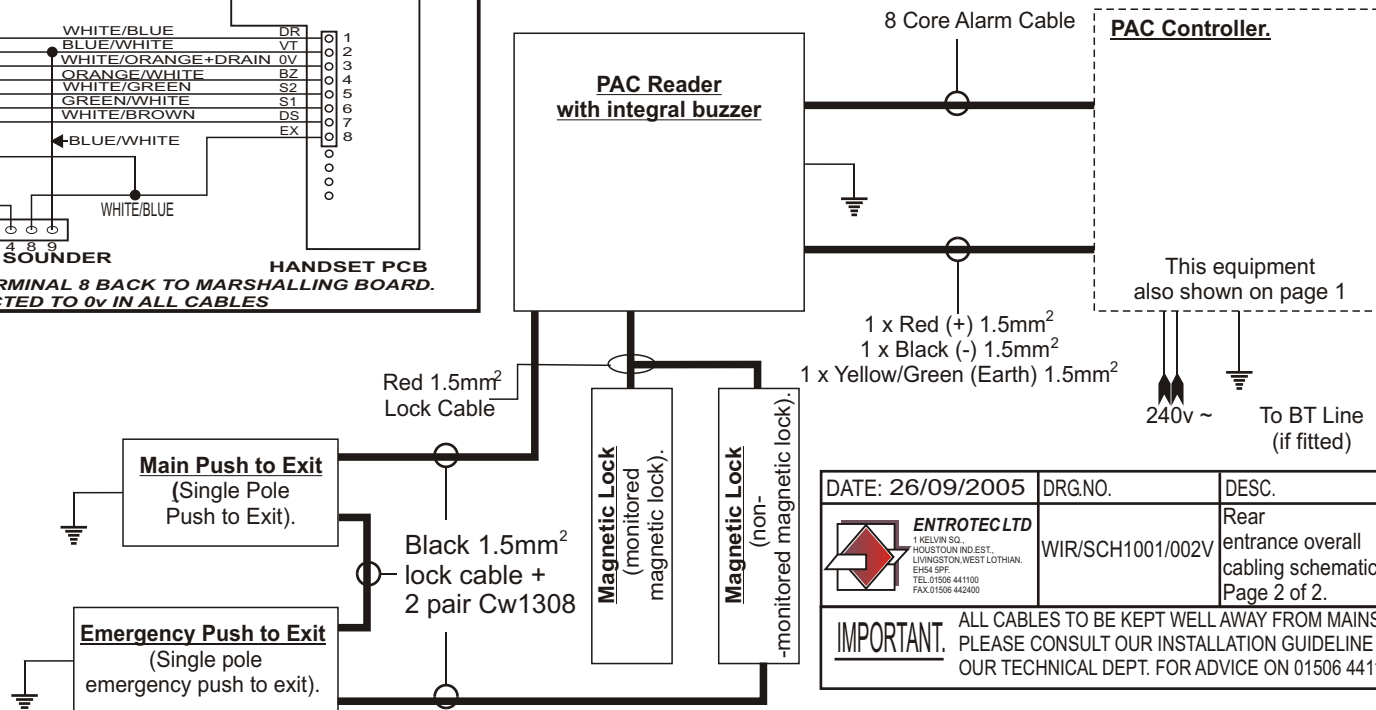
Fire switch & Push to Exits Wiring




EXTENSION SPEAKER + FLASHING BEACON FOR ED1,ED3+ED4 HANDSETS CONNECTION DIAGRAM.



Rear Door Schematic (if required).



| | | | |
|--|------------------|--|------------|
| DATE: 26/09/2005 | DRG.NO. | DESC. | DRAWN BY: |
|  ENTROTECLTD 1 KELVIN SQ., HOUSTOUN IND. EST., LIVINGSTON WEST LOTHIAN, EH54 5PF, TEL:01506 441100 FAX:01506 442400 | WIR/SCH1001/002V | Rear entrance overall cabling schematic Page 2 of 2. | V.A.Turner |
| IMPORTANT. ALL CABLES TO BE KEPT WELL AWAY FROM MAINS VOLTAGE CABLES. PLEASE CONSULT OUR INSTALLATION GUIDELINE SHEET OR CONTACT OUR TECHNICAL DEPT. FOR ADVICE ON 01506 441100. | | CHECKED BY: | |